



The  
interface of  
the future

# USB 3.1 Type C Keystone

Switch to the new generation of USB connections today! USB 3.1 type C is the latest standard in the world of devices. And with good reason: Amongst other things, the new technology provides a simpler connection thanks to its smaller, anti-twist plug connector. It also supports the "Power Delivery" functionality, enabling the charging of devices like tablets and smaller laptops.

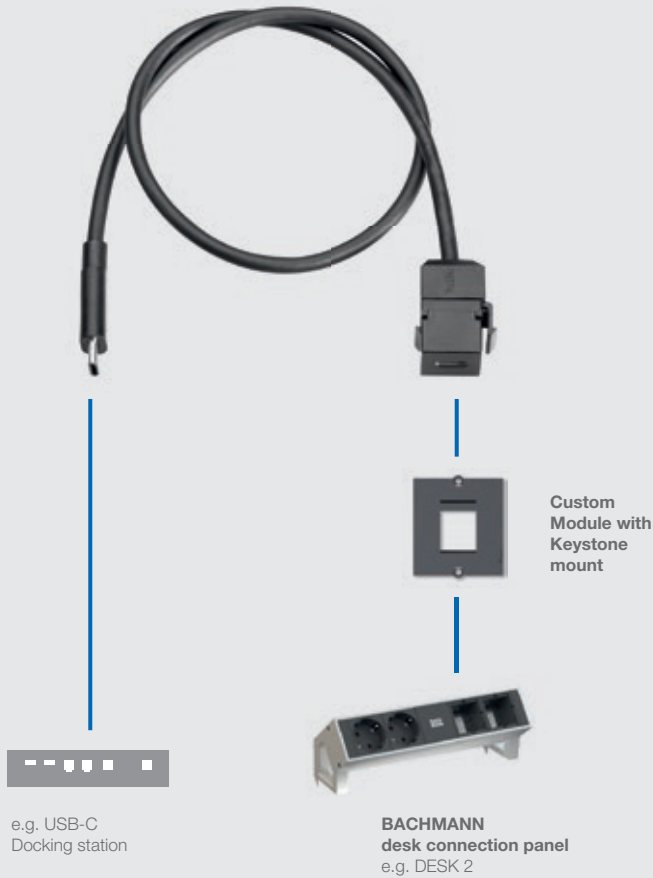
BACHMANN's USB 3.1 type C keystone module is the perfect interface for it. This flexible module can be quickly and easily inserted in all BACHMANN desk connection panels with modular keystone mounts and used straight away – subsequent changes are also possible, such that BACHMANN products already installed can also be made fit for the future.

## BENEFITS

- **Anti-twist plug connector**
- **Fully assigned contacts enable data and power transfer**
- **Supports the Power Delivery charging function up to 36 W**
- **Flexible integration, thanks to keystone module**

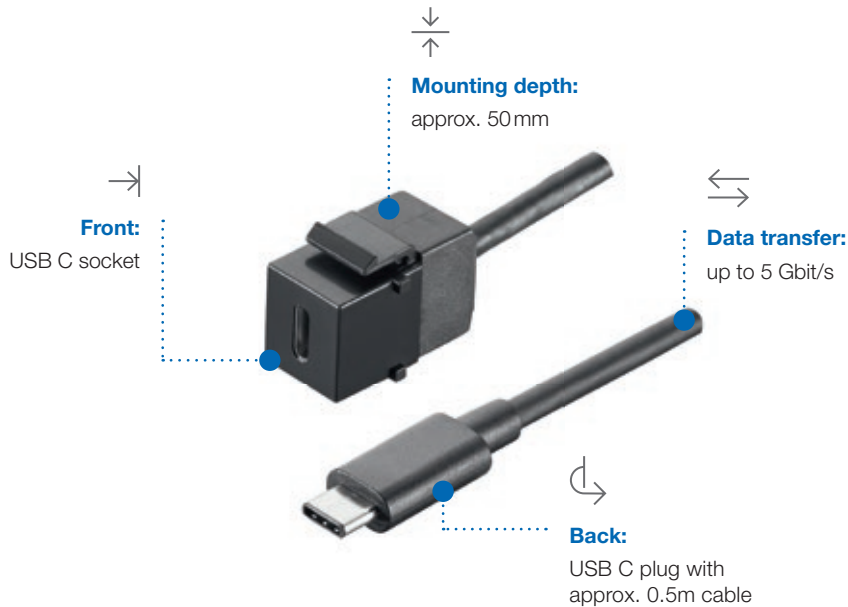
**BACH  
MANN**  
We power your life.

**USB 3.1 Type C Keystone**  
with 0.5 m breakout cable



### Simple connection

This Keystone can be quickly and easily inserted in all BACHMANN desk connection panels with modular keystone mounts and used straight away.



In order to ensure functionality, the maximum overall length of the connection should not exceed one metre. (Keystone with 0.5m breakout cable plus 0.5m connection cable).